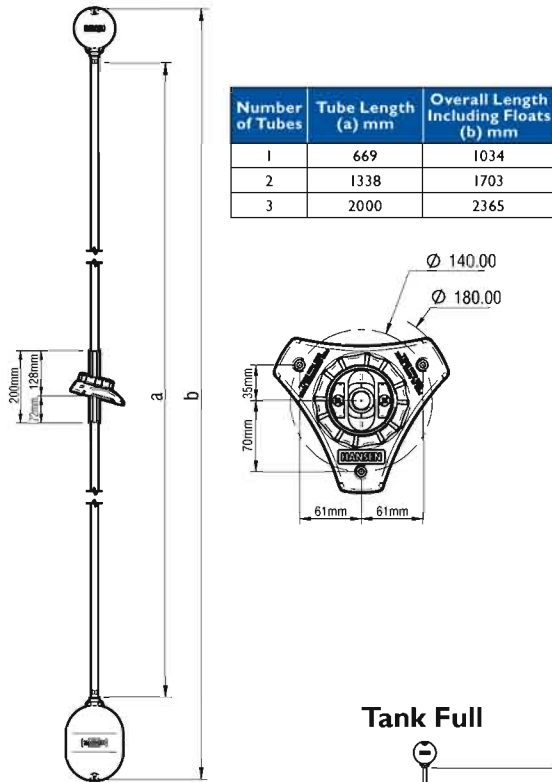


Technical Specifications

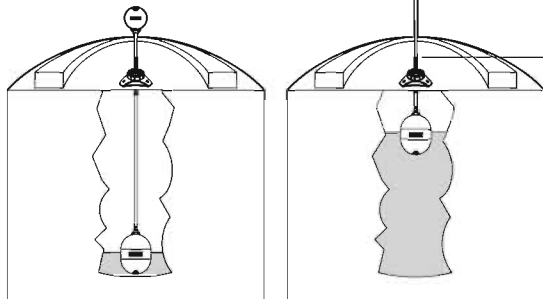
Top to bottom *Level Alert* dimensions



Number of Tubes	Tube Length (a) mm	Overall Length Including Floats (b) mm
1	669	1034
2	1338	1703
3	2000	2365

Tank Full

Tank Low



Number of Tubes	Full Tank Visible Level (c) mm
1	469
2	1138
3	1800

Frequently Asked Questions

- Q** My existing tank level indicator will stick in a position after windy days and I've had to replace it a number of times. Will the Hansen *Level Alert* eliminate this problem?
- A** Yes, we have covered this issue in two ways, firstly by incorporating a HiViz UV stabilised low wind resistant ball and secondly our self lubricating Glass Fibre Reinforced Nylon Sleeve and Stainless Steel rod can't bend or distort eliminating this problem.
- Q** My tank has a very steep roof angle and I cannot find a level indicator that will attach vertically, will the Hansen *Level Alert* fit my tank?
- A** Yes, our fully adjustable UniTri mounting base will adapt to any roof angle, the adjustment is a full 35 degrees each way, so once installed you never need to readjust.
- Q** I have a number of steel, plastic and concrete tanks on my property, will the Hansen *Level Alert* mount on all three types?
- A** Yes, the Hansen *Level Alert* comes with custom stainless steel fasteners for installation on steel, plastic and concrete tanks.
- Q** I have a number of ropes and pulley's, shafts and mounts lying around that have cost me money over the years, why would I purchase another product when I'm resigned to spending time climbing a ladder?
- A** Great question, because Hansen understands the value of your time and with the Hansen *Level Alert* there are no ropes and pulley's, tubes or smoke and mirrors, only the time tested strength of Glass Fibre Reinforced Nylon and the proven ability of Hansen's innovative simple effective design. If you already use any of our product range you can answer the question yourself, if it can't be done we don't do it, if it can be done we do it simply but effectively.

AVAILABLE FROM TANK MASTER

11 Loton Avenue
MIDLAND WA 6056
Ph: (08) 9274 7000

Fax: (08) 9250 4422

Email: sales@tankmaster.com.au

HANSEN™

Level Alert



50% STRONGER
16mm stainless steel tube offers 50% more strength than 12mm tubes



HEAVY DUTY
TANK LEVEL INDICATOR

<https://tankmaster.com.au>

Best Installed Value

Hansen's Pipe Fittings and Valves have been working for New Zealanders for over 60 years and are winning a world market. It all started in the 1950's, Bert Hansen was building a house and couldn't find a reliable toilet valve, being an engineer he invented one and from there it all started.

Over the years Hansen has been asked by customers to manufacture many related water products.

The Hansen *Level Alert* is one of those products.

Our Customers asked for a maintenance free simple heavy duty tank level indicator that could be mounted on any type of tank on a range of roof angles and once mounted not have to go back and re-adjust due to the indicator mount moving in windy conditions.

The Hansen *Level Alert* features the unique UniTri mounting system with easy adjust nut and security lock, HiViz low wind resistance float and stainless steel fastenings.

With over 60 years experience in manufacturing, Hansen Products knows the importance of fluid delivery, flow and pressure within a pipe system. This has seen Hansen Products build a reputation for providing high performance, easy to use, innovative simple products that provide our customers with "Best Installed Value".

All Hansen products carry our Limited Lifetime Warranty*

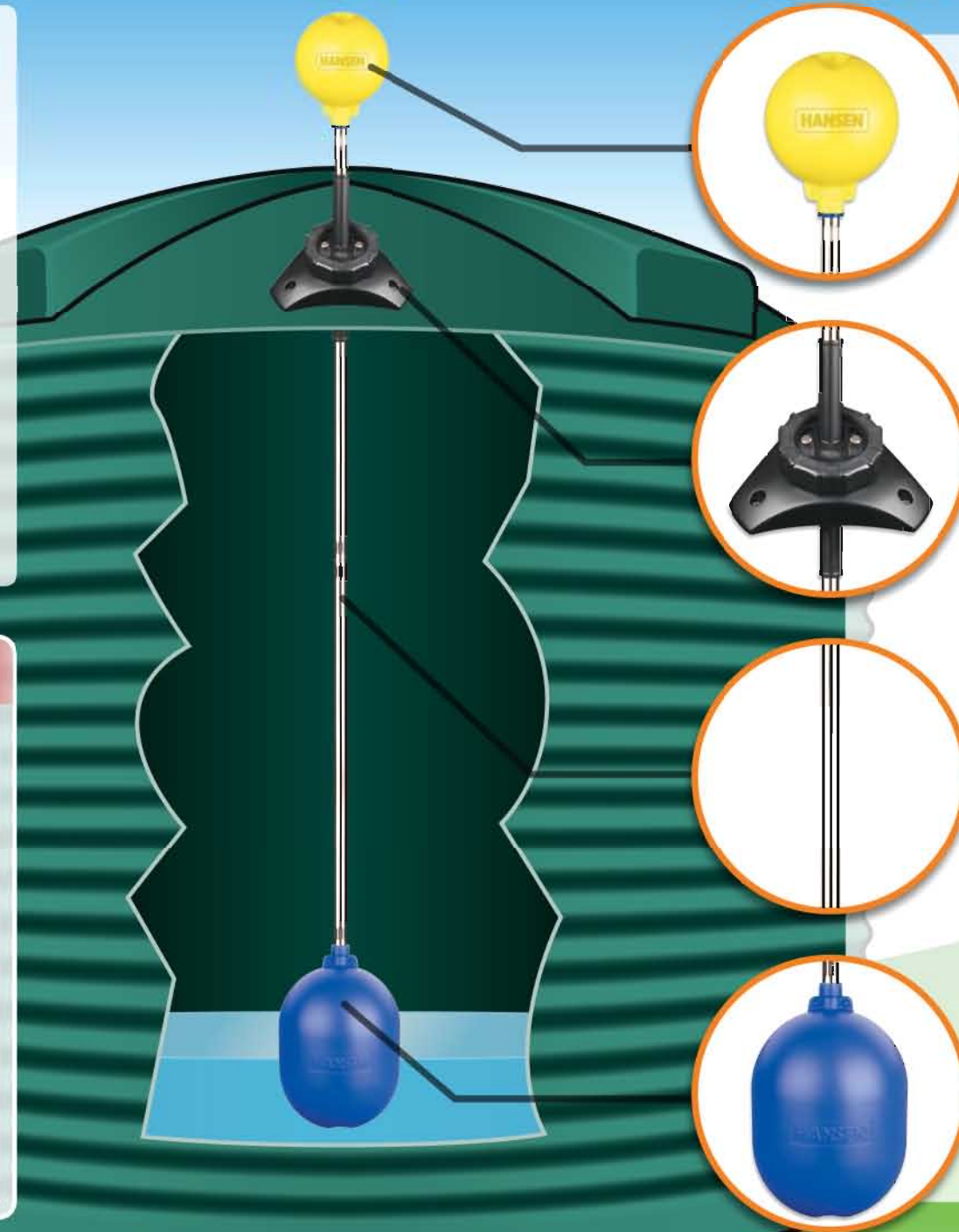
*For more information on our warranty, please visit www.hansenproducts.com/legal.htm

Monitor Water Levels

- ✓ Prevent Pump Burnout caused by Dry Tank Syndrome
- ✓ See at a glance your tank water level
- ✓ Suitable for any type or size tank
- ✓ Essential part of your water management

- Fully Adjustable UniTri mounting base
- UniTri mount will adapt to a range of tank roof angles (max 35° angle)
- Suitable for Plastic, Concrete and Steel Tanks
- Manufactured from UV resistant durable, Glass Fibre Reinforced Nylon with Stainless Steel Tubes (16mm diameter) and Stainless Steel Fastenings
- Complete with all mounting fastenings for all applications
- Optional Stainless Steel Extension tubes available (669mm)
- Supplied with 3 lengths of 669mm Heavy Duty Stainless Steel Tube (16mm diameter), Stainless Steel Fastenings, 115mm Threaded HiViz Float, Long Threaded Blue Float, UniTri Mounting Base

The Level Alert is protected by intellectual property rights owned by the Hansen group of companies in New Zealand, Australia & other countries, including NZ patent 596360 and NZ registered design 415007 and Australian patent 2012203010 and registered design 340061.



HiViz Indicator

UV stable HiViz Float ensures clear visibility from a distance for easy checking of tank fluid level

Adaptable Mounting Base

Fully adjustable UniTri Mount base will adapt to a range of tank roofs (max 35° angle)

50% STRONGER
16mm stainless steel tube offers 50% more strength than 12mm tubes

Heavy Duty Stainless Steel Tube

Heavy Duty 16mm stainless steel tube for long life durability

Long Bottom Float

155 x 230mm long bottom float ensures excellent buoyancy for accurate indication of fluid level